
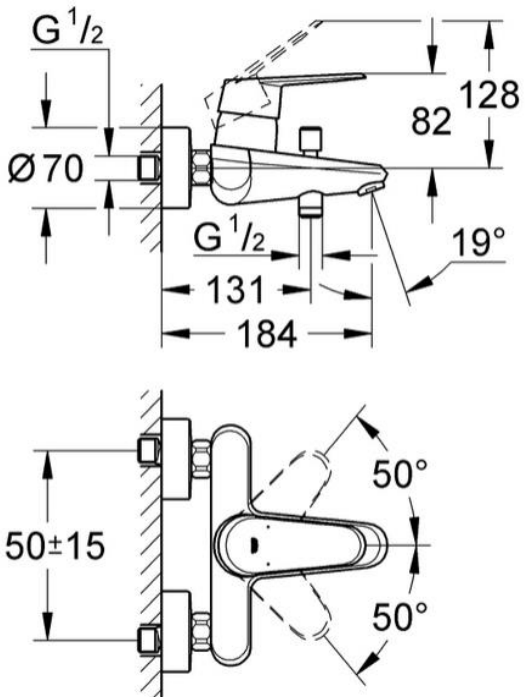








PROJECT		REF		REV	ITEM CODE	
LOCATION		DATE			PAGE	

## SANITARY WARE SPECIFICATION SHEET

<p>Item Descriptions</p> <p>Dimensions</p> <p>Model</p> <p>Finish / Material</p> <p>Country of origin</p> <p>Manufacturer</p> <p>Supplier</p> <p>Contact Tel/Fax</p> <p>E-mail</p> <p>Website</p>	<p>GROHE (Germany) "Eurodisc Cosmopolitan" Chrome plated wall mounted single-lever bath/shower mixer</p> <p>L184 x W150 x H70 mm</p> <p>33390002</p> <p>Chrome Plated</p> <p>Germany</p> <p>GROHE Limited</p> <p>Acme Sanitary Ware Co. Ltd Mr. Eric Wong/ Mr. Don Yuen</p> <p>(852) 2388-7171 / (852) 2710-8012 acme@acmesanitary.com.hk www.acmesanitary.com.hk</p>	<p>Illustration/ Drawing</p>      
<p><b>"Eurodisc Cosmopolitan"</b> <b>Single-lever bath/shower mixer 1/2 "</b></p> <ul style="list-style-type: none"> <li>• wall mounted</li> <li>• metal lever</li> <li>• <b>GROHE SilkMove</b> 46 mm ceramic cartridge</li> <li>• <b>GROHE StarLight</b> chrome finish</li> <li>• adjustable flow rate limiter</li> <li>• adjustable minimum flow rate 2.5 l/min</li> <li>• automatic diverter: bath/shower</li> <li>• mousseur</li> <li>• integrated non-return valve in the shower outlet 1/2"</li> <li>• S-unions</li> <li>• protected against backflow</li> <li>• optional temperature limiter (46 308 000)</li> </ul>		

Note:

\* All information of the above is for the reference only. No prior notice is made if any changes.



PROJECT		REF		REV	ITEM CODE	
LOCATION		DATE			PAGE	

## SANITARY WARE SPECIFICATION SHEET

### GROHE EURODISC COSMOPOLITAN

#### VERSATILE & MEANINGFUL

Confidence across the board. Eurodisc Cosmopolitan fittings stand out as a result of their superior styling and their extensive product range, all boasting the "Made in Germany" seal of quality. This collection allows you infinite creativity in your quest for a personalised bathroom. The sweeping lines of the washbasin faucet allow comfortable, splash-free hand-washing. Refreshingly elegant details and technical sophistication are also available for the shower and bath areas. Single-lever faucets, a complete shower system and a convenient shower caddy are just a few examples. Eurodisc Cosmopolitan turns your bathroom into a comfortable living zone.



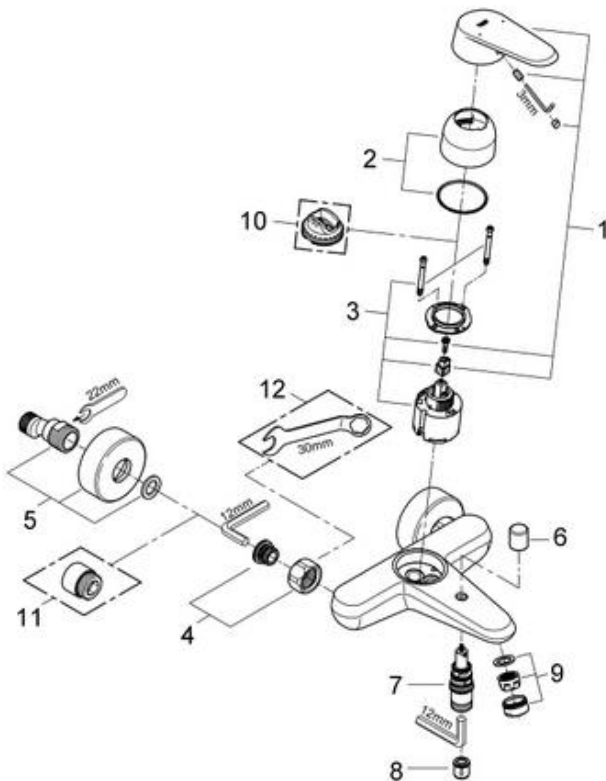
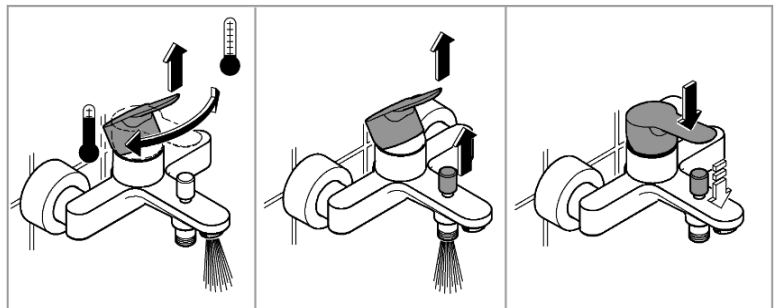
#### GROHE SilkMove cartridge technology for smooth handling

This premium tap comes with a continuously variable water temperature and volume adjustment technology, ensuring effortless lever operation even after years of use.



#### Easy to clean thanks to the GROHE StarLight chrome coating

Just wipe the tap down with a dry cloth – the ultra smooth surface finish is scratch resistant and ensures a lasting luminous sheen. You'll save plenty of time cleaning while your tap always looks shiny and new.



Pos.-nr.	Prod. description	Order-nr.
1	Lever	46743000
2	Cap	46427000
3	Cartridge	46048000
4	Screw connection 1/2"	45044000
5	S-union	12662000
6	Diverter knob	64309000
7	Diverter	65655000
8	Non-return valve	08565000
9	Mousseur	13952000
10	Temperature limiter	46308000*
11	Extension 3/4", 20 mm	0713000M*
12	Special spanner	19377000*

\* Optional accessories

Note:

\* All information of the above is for the reference only. No prior notice is made if any changes.

本署檔號 : ( 2 ) in WSD 3321/2021 T/J(1303/2021)  
Our ref.  
來函檔號 :  
Your ref

電話 :  
Tel.  
傳真 : 2824 0578  
Fax.

12 October 2021



### Approval of "GROHE" Bath/Shower Mixer (General Acceptance No. C20211113)

Your letter ref. WRC/2615 dated 23 August 2021 refers.

Having considered the test report ref. J26788 issued on 3 August 2021 by Nutek Systems (HK) Ltd., this Authority accepts that the fitting described below complies with, and its use when correctly installed does not contravene, the Waterworks Ordinance and Regulations.

**Name of Manufacturer:** Grohe AG  
**Country of Origin:** Germany  
**Brand:** Grohe  
**Details of Fitting:** 1/2" Single lever bath/shower mixer  
**Model:** 33390XX2  
(where "XX" denote the code of colour)  
**Body Markings:**   
**Expiry Date:** 4 July 2026

This Authority hereby permits the use of the above fitting in fresh water plumbing systems subject to full adherence to Waterworks installation requirements. In particular, you are required to draw your customers' attention to the following requirement-

"The cold water supply to the fitting shall be drawn from the same source that supplies the hot water apparatus so as to provide a balanced pressure and to obviate the risk of scalding in the event of a restriction or failure in the water supply." AND

"The shower head or handspray should not be placed in submerged conditions and should be securely fixed to the original position after use."

A condition of this acceptance is that the fitting to be installed shall be replicas of the sample as certified by the testing agent mentioned above and without modifications. This acceptance may be withdrawn at any time if the standard of the fitting installed fails to meet that of the approved sample or if the fitting is found to be unsuitable for use in fresh water plumbing systems.

This acceptance is only applicable to the main body of the fitting, unless otherwise specified.

For the use of the fitting in any project, the General Acceptance Number of this letter must be quoted as a means of identification of acceptance of the fitting by this Authority.

Should you have any enquiries, please contact our Engineer Ms Winnie LO at tel. no. 3583 4086.

Yours faithfully,



(Roger WONG)  
for Director of Water Supplies

Encl.

c.c.      WSD 3321/1/82 ] - without catalogue  
            ME/MC        ] - with soft copy only